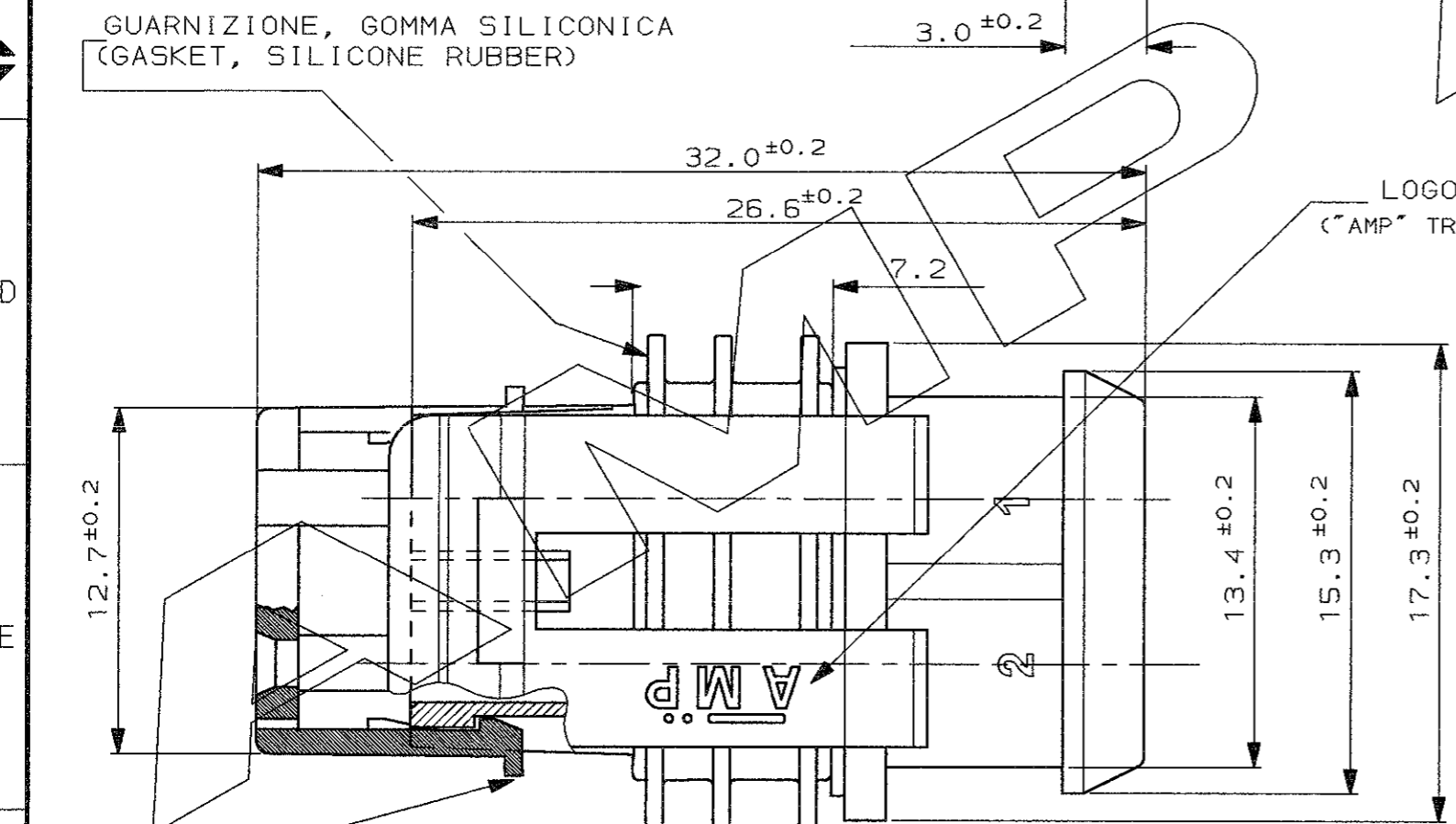


GUARNIZIONE, GOMMA SILICONICA
 (GASKET, SILICONE RUBBER)



LOGO "AMP"
 ("AMP" TRADE MARK)

1) PER RAPPRESENTAZIONE DIMA CONTROPARTE
 VEDERE FOGLIO 2 DI 2.
 (FOR COUNTERPART DETAIL SEE SHEET 2 OF 2)

AGGANCIAMENTO SECONDARIO, COLORE ROSSO, PRE-ASSEMBLATO
 (SECONDARY LOCK, RED COLOUR, IN PRE-ASSEMBLED POSITION)

VERDE (GREEN)	PA 6.6 CAR.VETRO	C	282080-3
GRIGIO (GREY)	(PA 6.6 G.F.)	C	282080-2
NERO (BLACK)		C	282080-1
FINITURA / COLORE (FINISH / COLOUR)	MATERIALE (MATERIAL)	REV.	NUMERO (PART NUMBER)
CUSTOMER DWG. FOR REFERENCE ONLY		DISEGNO PER CLIENTE SOLO PER RIFERIMENTO	
-THIS DRAWING IS UNPUBLISHED-		RELEASE FOR PUBLICATION	
© COPYRIGHT 19 BY AMP INCORPORATED, HARRISBURG, PA. ALL INTERNATIONAL RIGHT RESERVED. AMP PRODUCTS MAY BE COVERED BY U.S. AND FOREIGN PATENT AND/OR PATENT PENDING			
C3	REVISED PER ET00-0008-04	P.Z. Col R.M.	
C2	REVISED BY ET00-0092-00	M.G. 4-4 00	
C1	REVISED BY ET00-0072-98	M.P. 7-4 98	
C	UP-DATED ET00-0490-97		
B	UP DATED ET00-0266-96	C.B. 6-6 1996	
A	ADDED TRUE POS.TOL. (SHEET 2 OF 2) ET00-0125-94	C B 4	
4	AGGIORNATO	C B 10 92	
3	AGGIUNTO PN. ...-2	C B 2 91	
2	MODIFIED		
REV. (REV./LIT.)	REVISIONI (REVISION RECORD)	DIS. (DR)	DATA (DATE)
		APP. (APP.)	A. BRUNI
		7-90	
TOLLERANZE, SE NON DIVERSAMENTE SPECIFICATO (TOLERANCES, UNLESS OTHERWISE SPECIFIED)		DIAM. ISOLANTE (INS. DIA. RANGE)	RANGO FILO (WIRE RANGE)
± 0.3			
ANGOLI (ANGLES)		± 2°	
DIS. (DR.)		C. BERTINI	7-90
CONT. (CHK)			
DESCRIZIONE (DESCRIPTION)		2 POS. PLUG ASS'Y	
AMP SUPERSEAL 1.5 SERIES CONNECTORS		LOC.	SIZE
		NUMERO (DWG NO)	REV.
		I A3	C3
		C-282080	1
			FOGLIO (SHEET)
			D1
			(OP) 2

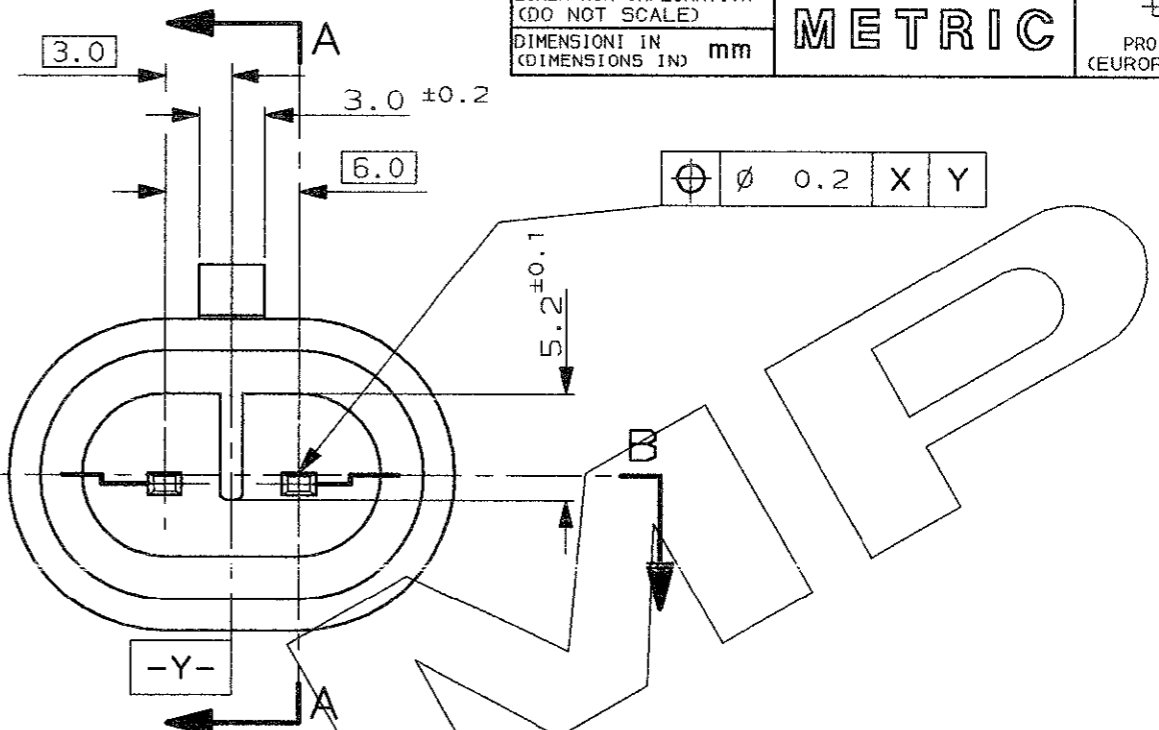
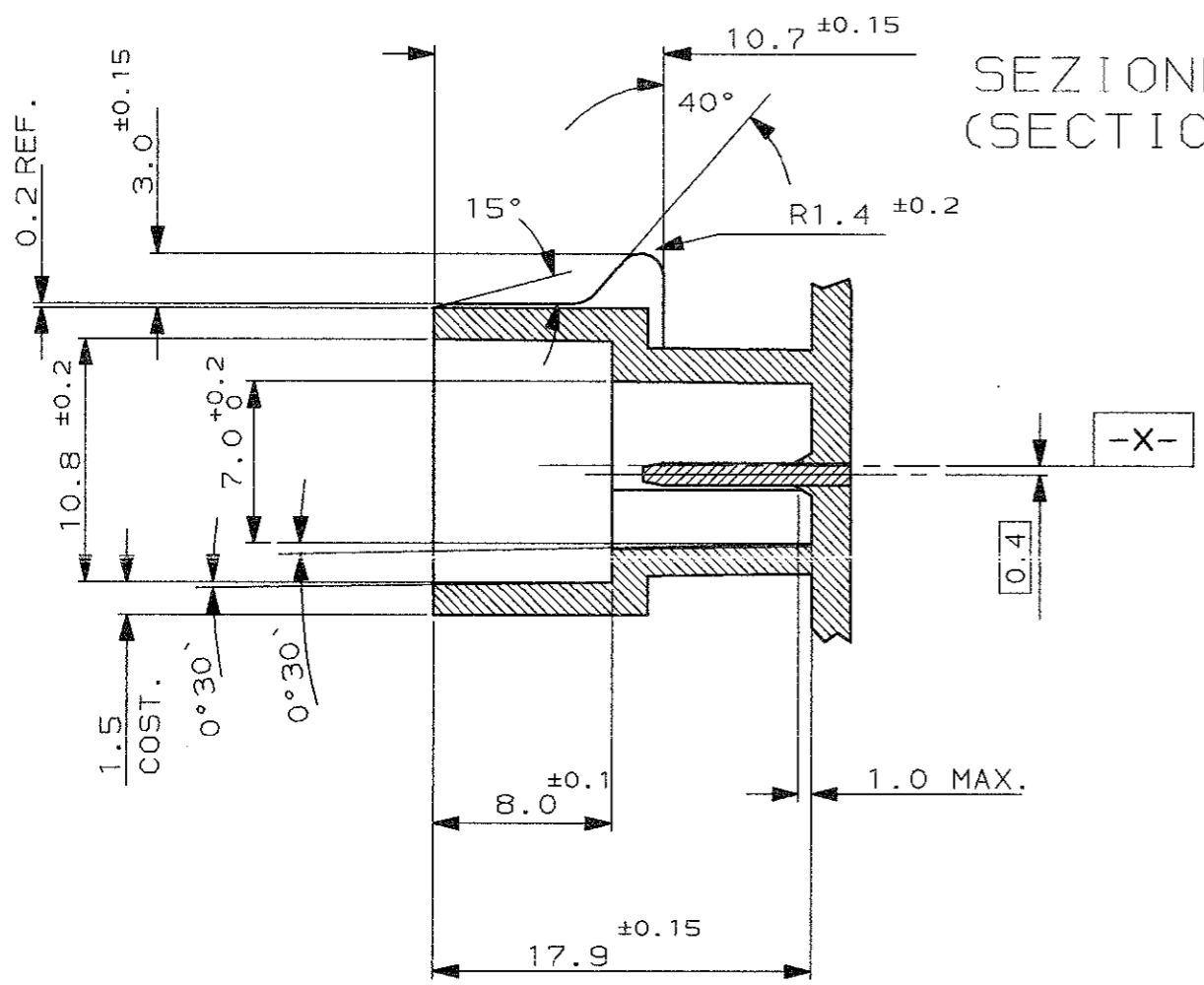
DISTRIBUZIONE
(PRINT DIST.)

SCALA NON IMPEGNATIVA
(DO NOT SCALE)
DIMENSIONI IN mm
(DIMENSIONS IN mm)

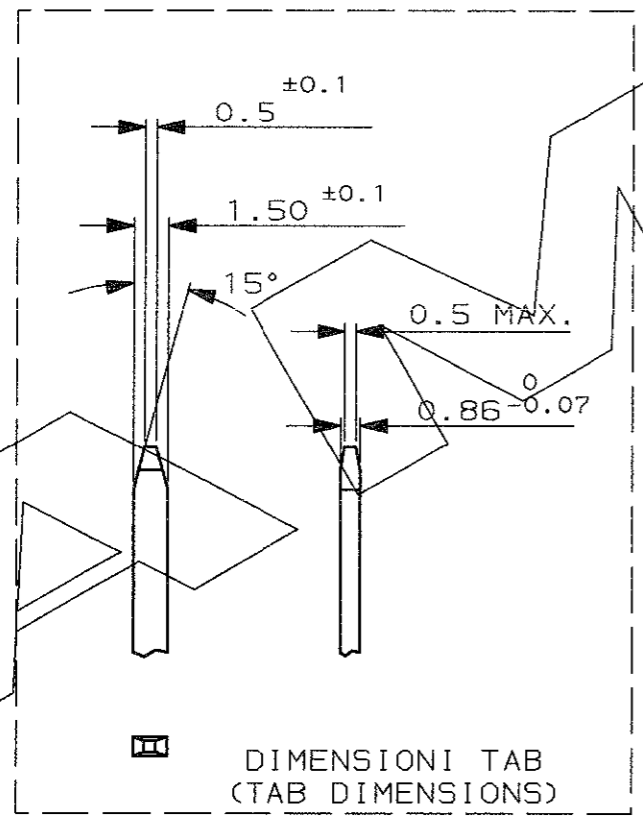
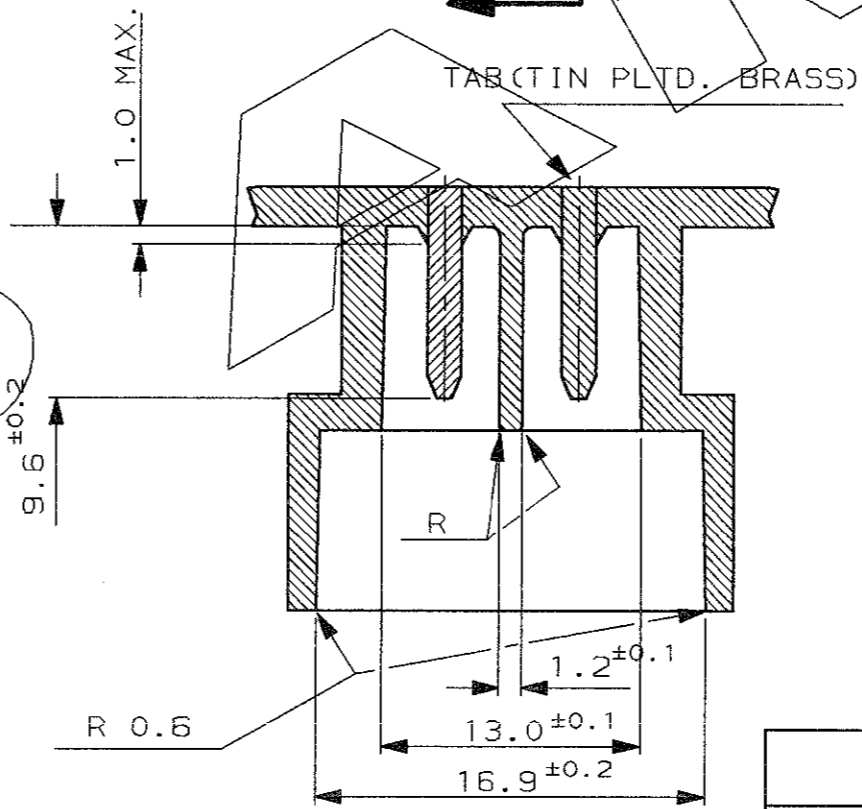
METRIC

PROIEZIONE EUROPEA
(EUROPEAN PROJECTION)

SEZIONE A-A
(SECTION A-A)



SEZIONE B-B
(SECTION B-B)



	PA 6.6 CAR. VETRO (PA 6.6 G.F.)	
FINITURA / COLORE (FINISH / COLOUR)	MATERIALE (MATERIAL)	NUMERO (PART NUMBER)
CUSTOMER DWG. FOR REFERENCE ONLY		DISEGNO PER CLIENTE SOLO PER RIFERIMENTO
-THIS DRAWING IS UNPUBLISHED-		RELEASE FOR PUBLICATION 19
© COPYRIGHT 19 BY AMP INCORPORATED, HARRISBURG, PA. ALL INTERNATIONAL RIGHT RESERVED. AMP PRODUCTS MAY BE COVERED BY U.S. AND FOREIGN PATENT AND/OR PATENT PENDING		
TOLLERANZE, SE NON DIVERSAMENTE SPECIFICATO (TOLERANCES, UNLESS OTHERWISE SPECIFIED)	DIAM. ISOLANTE (INS. DIA. RANGE)	RANGO FILO (WIRE RANGE)
± 0.3	-	-
ANGOLI (ANGLES)	SCALA (SCALE)	
± 2°	AMP AMP ITALIA S.p.A. Corso F. LUI Carvi, 15 COLLENO (TORINO)	
DIS. (DR.)	DESCRIZIONE (DESCRIPTION) 2 POS. PLUG ASS'Y	
CONT. (CHK)	AMP SUPERSEAL 1.5 SERIES CONNECTORS	
APP. (APP.)	LOC. SIZE NUMERO (DWG NO)	REV. FOGLIO (SHEET)
(SEE SHEET 1 OF 2)	I A3 C-282080	C3 2 OF 2
REV. (REV.)	REVISIONI (REVISION RECORD)	DIS. DATA (DR) (DATE)

DISTRIBUZIONE
(PRINT DIST.)